

KOCUMR

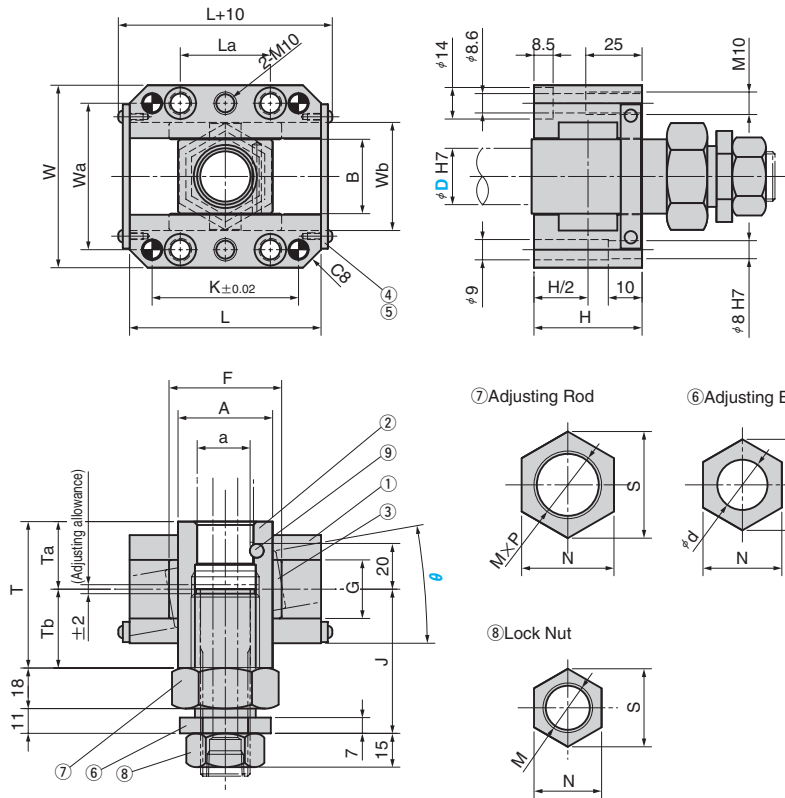
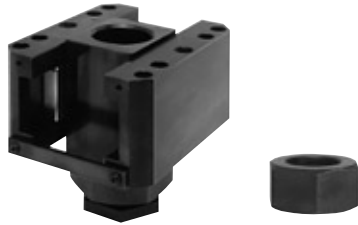


Table of Components

| No. | Description | Qty | Material and Remark |
|-----|---------------------|-----|---------------------------|
| ① | Guide Rail | 2 | S45C (T C45 A 1045) |
| ② | Inclined Pin Holder | 1 | S45C (T C45 A 1045) |
| ③ | Slide Plate | 2 | Bronze with Graphite |
| ④ | Lock Plate | 2 | SS400 (A A36-89b) |
| ⑤ | Round Head Screw | 4 | SCM435 (T 42CrMo4 A 4137) |

| No. | Description | Qty | Material and Remark |
|-----|----------------|-----|-------------------------|
| ⑥ | Adjusting Bolt | 1 | S45C (T C45 A 1045) |
| ⑦ | Adjusting Rod | 1 | S45C (T C45 A 1045) |
| ⑧ | Lock Nut | 1 | S45C (T C45 A 1045) |
| ⑨ | Loosening Lock | 1 | SK5M $\phi 6 \times 30$ |

| D | W | Wa | L | K | La | B | Wb | H | A | a | T | Ta | Tb | F | G | J |
|----|----|----|-----|----|----|----|----|----|----|------|----|----|----|----|----|----|
| 25 | 81 | 65 | 85 | 65 | 40 | 33 | 48 | 48 | 40 | 23.5 | 60 | 29 | 31 | 50 | 26 | 63 |
| 30 | 88 | 72 | 100 | 80 | 50 | 38 | 55 | 54 | 47 | 28.5 | 67 | 29 | 38 | 60 | 30 | 67 |

| ⑥ Adjusting Bolt | | | | ⑦ Adjusting Rod | | | ⑧ Lock Nut | | |
|------------------|----|------|------|-----------------|----|------|------------|----|------|
| D | N | S | d | M×P | N | S | M | N | S |
| 25 | 35 | 40.4 | 22.3 | M30×P1.5 | 41 | 47.3 | M22×1.5 | 32 | 37.0 |
| 30 | 38 | 43.9 | 27.3 | M36×P1.5 | 46 | 53.1 | M27×1.5 | 34 | 39.3 |

| Catalog No. | D | θ Increments of 1° |
|-------------|----|------------------------------|
| KOCUMR | 25 | 0°~10° |
| | 30 | |

Order **Catalog No.** **D** - **θ**
KOCUMR 25 - 6

Option **Option Code** **Specification**
G Play of 0.1 to 0.2 is provided in the width direction (Wb).

Play of 0.1 to 0.2 is provided when the tolerance between dowel holes is ± 0 .
 For details, refer to page. 74.

Order **KOCUMR 25-6-G**

For the standard part of inclined pin with special cooling hole, refer to page.105.

KOCUFR

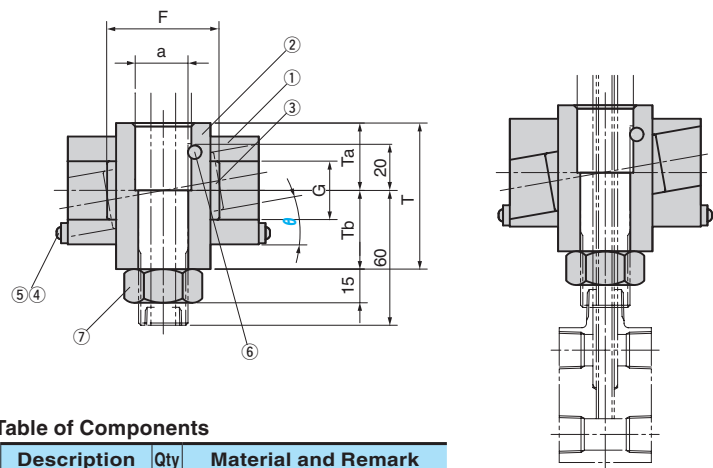
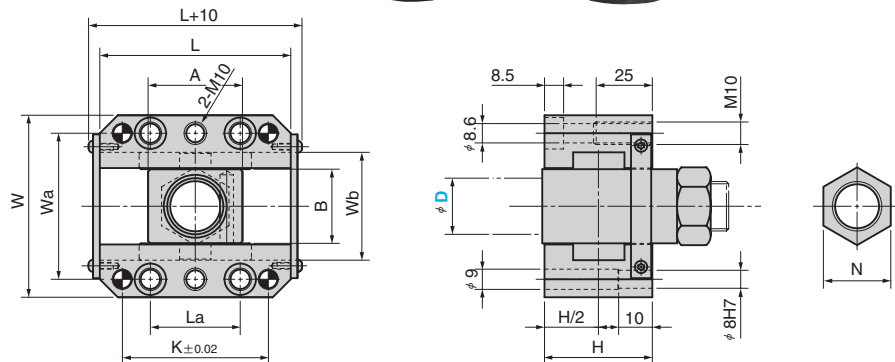


Table of Components

| No. | Description | Qty | Material and Remark |
|-----|---------------------|-----|----------------------------|
| ① | Guide Rail | 2 | S45C (I C45 A 1045) |
| ② | Inclined Pin Holder | 1 | S45C (I C45 A 1045) |
| ③ | Slide Plate | 2 | Bronze with Graphite |
| ④ | Lock Plate | 2 | SS400 (A A36-89b, A283-88) |
| ⑤ | Round Head Screw | 4 | SCM435 (I 34CrMo4 A 4137) |
| ⑥ | Loosening Lock | 1 | SK5M φ6×30 |
| ⑦ | Lock Nut | 1 | S45C (I C45 A 1045) |

| D | W | Wa | L | K | La | B | Wb | H | A | a | T | Ta | Tb | F | G | N |
|----|----|----|-----|----|----|----|----|----|----|------|----|----|----|----|----|----|
| 25 | 81 | 65 | 85 | 65 | 40 | 33 | 48 | 48 | 40 | 23.5 | 60 | 26 | 34 | 50 | 26 | 32 |
| 30 | 88 | 72 | 100 | 80 | 50 | 38 | 55 | 54 | 47 | 28.5 | 67 | 29 | 38 | 60 | 30 | 34 |

| Catalog No. | D | θ Increments of 1° |
|-------------|----------|-----------------------|
| KOCUFR | 25 30 | 0°~10° |

Order

| | | |
|-------------|----|---|
| Catalog No. | D | θ |
| KOCUFR | 25 | 0 |

Option

| Option Code | Specification |
|-------------|---|
| G | Play of 0.1 to 0.2 is provided in the width direction (Wb). |

Play of 0.1 to 0.2 is provided when the tolerance between dowel holes is ± 0.
For details, refer to page. 74.

Order **KOCUFR 25-0-G**

For the standard part of inclined pin with special cooling hole, refer to page.105.